

# OPERATING MANUAL

## DMX / DSI / DALI Dekoder 3004B-H Mk2



(C) SOUNDLIGHT 1996-2004 \* ALL RIGHTS RESERVED \* NO PART OF THIS MANUAL MAY BE REPRODUCED, DUPLICATED OR USED COMMERCIALY WITHOUT THE PRIOR WRITTEN CONSENT OF THE OWNER \* ALL STATEMENTS WITHIN THIS MANUAL HAVE BEEN CHECKED CAREFULLY AND ARE BELIEVED TO BE ACCURATE, HOWEVER SOUNDLIGHT DOES NOT ASSUME ANY RESPONSIBILITY FOR ERRORS OR OMISSIONS. \* THE USER HAS TO CHECK THE SUITABILITY OF THE EQUIPMENT FOR THE INTENDED USE. SOUNDLIGHT EXPRESSLY EXCLUDES ANY RESPONSIBILITY FOR DAMAGES - DIRECT OR INDIRECT - WHICH MAY OCCUR DUE TO MISUSE, UNPROPER INSTALLATION, WRONG OPERATING CONDITIONS AND NON-COMPLIANCE TO THE INSTRUMENT'S INSTRUCTIONS, AS WELL AS IGNORANCE OF EXISTING SAFETY REGULATIONS.

**SOUNDLIGHT** *The DMX Company* Glashüttenstrasse 11 D-30165 Hannover Tel.: 0511-3730267

**Thank you for choosing a SOUNDLIGHT device.**

The SOUNDLIGHT DMX DSI/DALI Converter 3004B-H is an intelligent DMX converter decoding digital data complying with standard USITT DMX512 and DIN 56930-2 to DSI serial output to drive digital SOUNDLIGHT LUXMATE PCA ballasts for fluorescent tubes. The card can be used with all standard light control systems. Its special advantages include:

- **universal protocol decoding**  
Recognizes all variants of the protocol as defined by USITT / ESTA / DIN
- **future-proof**  
The unit is software controlled and can easily be adapted to any change in protocol definition.
- **high linearity**  
As the unit accepts and outputs data in digital format, excellent linearity characteristics result.
- **simple supply**  
The power supply is achieved by its own PSU, power supply is 230V AC.
- **signal loss**  
In the case of a loss of the drive signal the last setting will remain intact.
- **cost-effective**  
The SOUNDLIGHT 3004B-H is a cost-effective solution for many purposes.

## APPLICATIONS

The converter 3004B-H is designed to drive fluorescent light tubes with variable intensity. Up to eight SOUNDLIGHT LUXMATE PCA electronic ballasts (8 separate circuits) may be connected per output. The unit is well suited for all applications on stage, for TV background lighting, or for architectural lighting purposes. The dimming range is 100% to 1%, and OFF at DMX input zero..

## UNPACKING

Please unpack carefully and check that all items are intact. When leaving our factory, the card has been in good condition. In case of damage during transport please notify the carrier immediately.

When unpacking, you should identify these items:

- \* the interface card 3004B-H
- \* this manual

The optional programming adaptor 3000P must be ordered separately.

## CONNECTORS

The decoder 3004B-H comprises of these connectors::

CN6	POWER SUPPLY	230V AC	50 Hz
1	black:	L	230V AC
2	blue:	N	0V AC

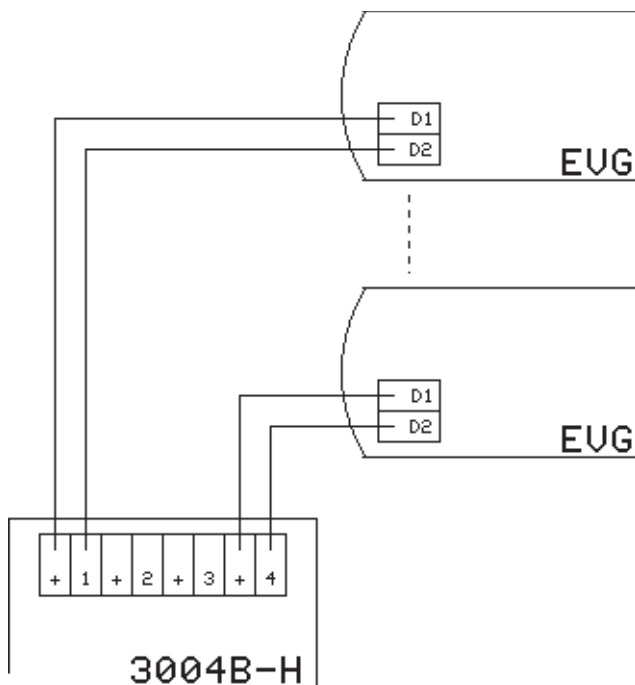
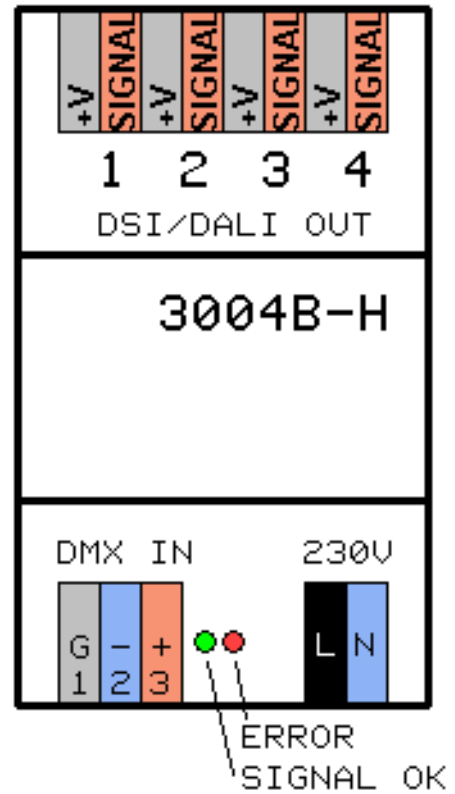
**CN6 DMX Data Input**

1 (grey) GND, Screen  
 2 (blue) DMX Drive Signal -  
 3 (orange) DMX Drive Signal +

**CN4 Drive Output to electronic ballasts**

1 CH 1: Drive Signal Ref V+ (15V)  
 2 CH 1: Drive Signal OUT -  
 3 CH 2: Drive Signal Ref V+ (15V)  
 4 CH 2: Drive Signal OUT -  
 5 CH 3: Drive Signal Ref V+ (15V)  
 6 CH 3: Drive Signal OUT -  
 7 CH 4: Drive Signal Ref V+ (15V)  
 8 CH 4: Drive Signal OUT -

Refer to the drawing for the location of the connectors.  
 To open clamp, press lever. Insert wire, release lever.



You may connect DSI (Digital Serial Interface) compatible or DALI (Digital Addressable Lighting Interface) compatible electronic ballasts (EUG) to the 3004B-H. Optimum performance will be obtained when using DSI compatible ballasts. The interface has to be programmed for DSI or DALI mode, see below. You are not allowed to mix DSI and DALI devices on one decoder.

Ballasts must be connected to the output terminals of the 3004B-H. Multiple ballasts may be connected in parallel if required - see technical data.

Digital SOUNDLIGHT PCA electronic ballasts are insensitive to polarization. If using other ballasts, please check before wiring. The signal output of the 3004B-H is negative (-).

### SIGNAL INDICATORS

Status signalling is with LED indicators:

green: DMX data reception OK  
 red: ERROR  
 normally off  
 blinks at transmission errors or at loss of signal

## DMX Start Address

It is a commonly used scheme for building automation devices to avoid configuration switches. All settings are stored permanently in non-volatile memory. When installing the decoder for the first time, the output protocol and the DMX start address (number of the first DMX data slot, value 001 ... 509) must be programmed.

The start address switch board 3000P is required to set start address and mode of operation.



Address setting board connector

### **NOTE!**

***You need to open the 3004B-H interface to connect the start address switch board. Before doing so, disconnect the interface from mains. Then gently remove the top cover. Plug in the address board, then re-fit the module cover.***

***This work should be carried out by a qualified technician only. If you do not qualify, contact the factory or a factory representative to obtain a pre-programmed decoder.***

## Programming adaptor

To set a DMX start address, connect the address board as described above. Then power up the decoder. Apply a valid DMX signal.

Then simply set the desired start address. The hundreds switch is located next to the LEDs. Valid address settings are from 001 to 509. Wait some seconds until the unit recognizes and programs the address setting. The programming cycle will be indicated by the the red and green LED flashing alternatively four times.

If the decoder is already fully wired you may test the system for proper operation right now. If everything works to your satisfaction, power down the system and remove the address board.

## DSI / DALI

Interfaces delivered before August, 2003, are factory pre-programmed to either DALI or DSI mode and cannot be configured by the user. You may obtain an update-kit to make the decoder user-configurable.

To set the interface to DSI mode, set DIP-Switch #4 to OFF. To set the interface to DALI output mode, set DIP switch #4 to ON. Leave all other switches in the OFF position. It may take some seconds for the interface to change to the desired mode of operation.

The programming cycle is indicated by flashing red-green-red-green-red-green-red-green (four times). It may be necessary to set a new valid start address after changing the DSI/DALI mode to

initiate a programming cycle.

## Drive Characteristics

Using microprocessor-controlled electronic ballasts results in a unprecedented precise logarithmic control curve matching the eye's intensity sensitivity very closely. Thus the whole dimming range (1%...100%) seems completely linear to the eye.

DSI cuts the DMX control range (256 steps) into two halves to generate two decades of intensity (from 1% to 10% and from 10% to 100%). Thus a DMX input value of 001 represents a output intensity of 1%, a DMX input value of 128 represents a output intensity of 10% and a DMX input value of 255 represents a output intensity of 100%.

DALI cuts the DMX control range (256 steps) into three thirds to generate three decades of intensity control (from 0.1% to 1%, from 1% to 10% and from 10% to 100%). Thus a DMX input value of 087 would represent a output intensity of 1%, and all values from 001 to 086 would do the same because there a no electronic ballasts available worldwide which can dim lower than 1%. This, however, would make 1/3 of the fader control range useless.

To obtain the same behaviour as with DSI devices the 3004B-H stretches the remaining 2/3 (170 steps) of the DMX control range to full scale. Thus smooth fades in DALI mode may appear somewhat "rougher".

## Electronic Ballasts

The electronic ballasts are connected to connector CN4. Each output has two terminals, grey (output drive signal, -) and orange (reference signal, +). SOUNDLIGHT PCA electronic ballasts are insensitive to polarization of the drive signal, thus terminal connections may be interchanged. When using other brands, make sure to obey correct polarization of the drive signal.

Each output may drive up to 8 ballasts maximum. Overloading outputs may trigger the internal electronic fuse and shut down all outputs until the fault is removed.

Installation of electronic ballasts must only be carried out by trained and qualified technicians. Electronic ballasts must be connected to mains voltage; interchanging power supply and control lines will damage both, ballast and decoder. Check your wiring thoroughly before powering up your system.



electronic ballasts for single and dual tube operation: available for flourescent tubes  
18W / 36W / 58W in T8 format 1nd 14W / 21W / 28W / 39W in T5 tube format

## TECHNICAL DATA

Dimensions:	65 mm x 105 mm x 65 mm
Power supply:	230V AC approx 5W
DMX IN:	1 Unit Load
DMX OUT:	fed throu
Ballast Out:	12V pulse signal DSI / DALI
Order Code:	3004B-H

## DISTURBANCES

If a trouble-free operation cannot be guaranteed, disconnect the decoder interface and secure it against unwanted operation. This is especially necessary, when

- the unit has visible damages;
- the unit does not operate;
- internal parts are loose;
- connection cables show visible damages.



## CE MARKING

The unit has been tested in our lab and has been marked to comply with CE requirements. To ensure compliance, use grounded power leads only and make sure that properly shielded data lines (CAT5, DMX data cable or Digital Audio cable to AES/EBU specifications) are used. Any modifications not approved by the manufacturer may void CE compliance.

## LIMITED WARRANTY

This instrument is warranted against defects in materials and workmanship for a period of 12 months, beginning with the date of purchase. The warranty is limited to repair or exchange of the hardware product; no further liability is assumed. SOUNDLIGHT is not responsible for damages or for loss of data, sales or profit which arise from usage or breakdown of the hardware product. In Germany, SOUNDLIGHT will repair or replace established defects in hardware, provided that the defective part is sent in, freight paid, through the responsible dealer along with warranty card and/or sales receipt prior to expiration of warranty.

Warranty is void:

- when modifying or trying to repair the unit without authorisation;
- modification of the circuitry;
- damages by interference of other persons;
- operation which is not in accordance with the manual;
- connection to wrong voltage or current;
- misuse.

## SERVICE

There are no parts within the DMX DSI / DALI decoder 3004B-H which require the user's attention. Should your unit require servicing, please send it to the factory, freight paid.

## INTERNET-HOTLINE

Please check our internet domain <http://www.soundlight.de> for new versions, updates etc. If you have any comments which may be worth considering, please send a message to [support@soundlight.de](mailto:support@soundlight.de). We will check your message and reply accordingly.