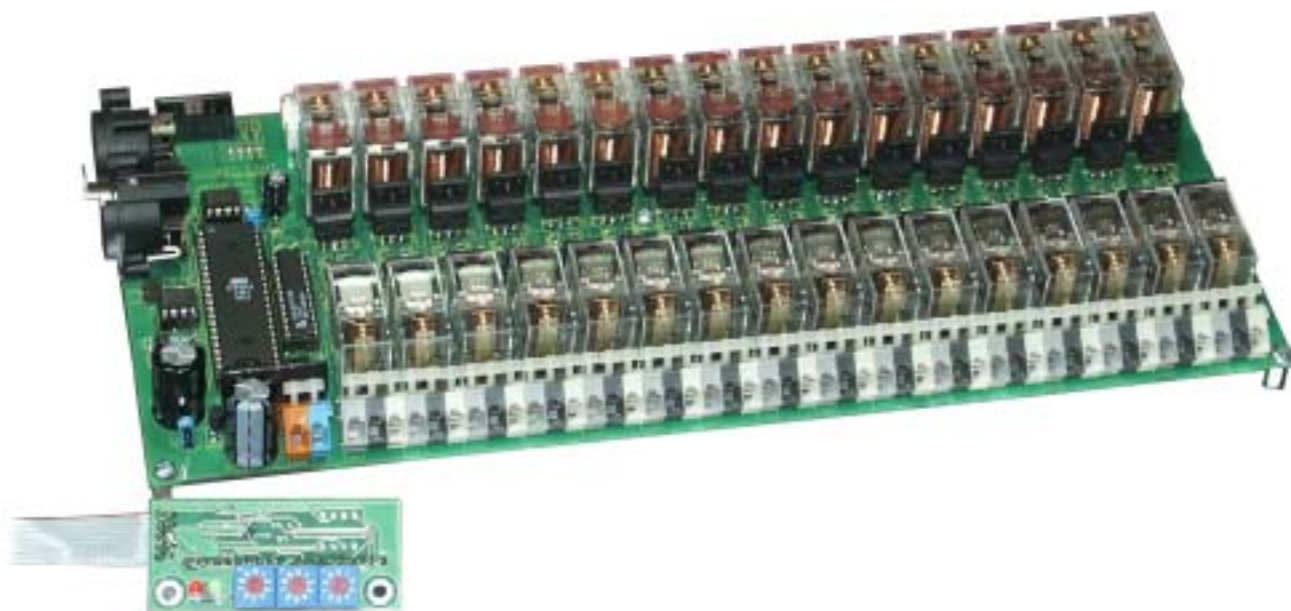


# OPERATING MANUAL

## DMX Relay Card 3032R Mk1



(C) SOUNDLIGHT 1996-2006 \* ALL RIGHTS RESERVED \* NO PART OF THIS MANUAL MAY BE REPRODUCED, DUPLICATED OR USED COMMERCIALY WITHOUT THE PRIOR WRITTEN CONSENT OF THE OWNER \* ALL STATEMENTS WITHIN THIS MANUAL HAVE BEEN CHECKED CAREFULLY AND ARE BELIEVED TO BE ACCURATE, HOWEVER SOUNDLIGHT DOES NOT ASSUME ANY RESPONSIBILITY FOR ERRORS OR OMISSIONS. \* THE USER HAS TO CHECK THE SUITABILITY OF THE EQUIPMENT FOR THE INTENDED USE. SOUNDLIGHT EXPRESSLY EXCLUDES ANY RESPONSIBILITY FOR DAMAGES - DIRECT OR INDIRECT - WHICH MAY OCCUR DUE TO MISUSE, UNPROPER INSTALLATION, WRONG OPERATING CONDITIONS AND NON-COMPLIANCE TO THE INSTRUMENT'S INSTRUCTIONS, AS WELL AS IGNORANCE OF EXISTING SAFETY REGULATIONS.

SOUNDLIGHT *The DMX Company* Glashüttenstrasse 11 D-30165 Hannover Tel.: 0511-3730267

**Thank you for choosing a SOUNDLIGHT device.**

The SOUNDLIGHT DMX Relay Crad 3032R-EP is an intelligent DMX converter decoding digital data complying with standard USITT DMX512 and DIN 56930-2 to 32 individually switchable relay contacts. The card can be used with all standard light control systems. Its special advantages include:

- **universal protocol decoding**  
Recognizes all variants of the protocol as defined by USITT / ESTA / DIN
- **future-proof**  
The unit is software controlled and can easily be adapted to any change in protocol definition.
- **simple supply**  
The power supply is achieved by low voltage 24V DC.
- **signal loss - switchable**  
In the case of a loss of the drive signal the last setting will remain intact.
- **cost-effective**  
The SOUNDLIGHT 3032R-EP is a cost-effective solution for many purposes.

## Applications

The relay card 3032R is ideally suited for all switching applications regarding effects lighting - strobe lights - smoke machines - remote control contacts and more.  
Be careful when switching power to lighting effects using discharge lamps, as the 3032R is a very fast switching card. For power switching we recommend using noise-immune slow-switching relay cards such as the 3002R-EP16S.

## Connectors

The relay card 3032R consists of these connectors:

<b>CN8</b>	<b>DMX IN (10pin FB connector)</b>
	1 n.c.
	2 n.c.
	3 n.c.
	4 n.c.
	5 XLR Pin 1 GND
	6 XLR Pin 1 GND
	7 XLR Pin 3 +DMX
	8 XLR Pin 2 -DMX
	9 XLR Pin 5 2. Link (spare)
	10 XLR Pin 4 2. Link (spare)

*This connector is only accessible when no XLR connectors are mounted.*

<b>CN2</b>	<b>DMX INPUT (XLR 5-pin)</b>
	1 GND

- 2 -DMX
- 3 +DMX
- 4 2. Link (spare)
- 5 2. Link (spare)

**CN1 DMX OUTPUT (XLR 5-pin)**

- 1 GND
- 2 -DMX
- 3 +DMX
- 4 2. Link (spare)
- 5 2. Link (spare)

**CN11** Relay output 1  
**CN12** Relay output 2 etc up to  
**CN18** Relay output 8

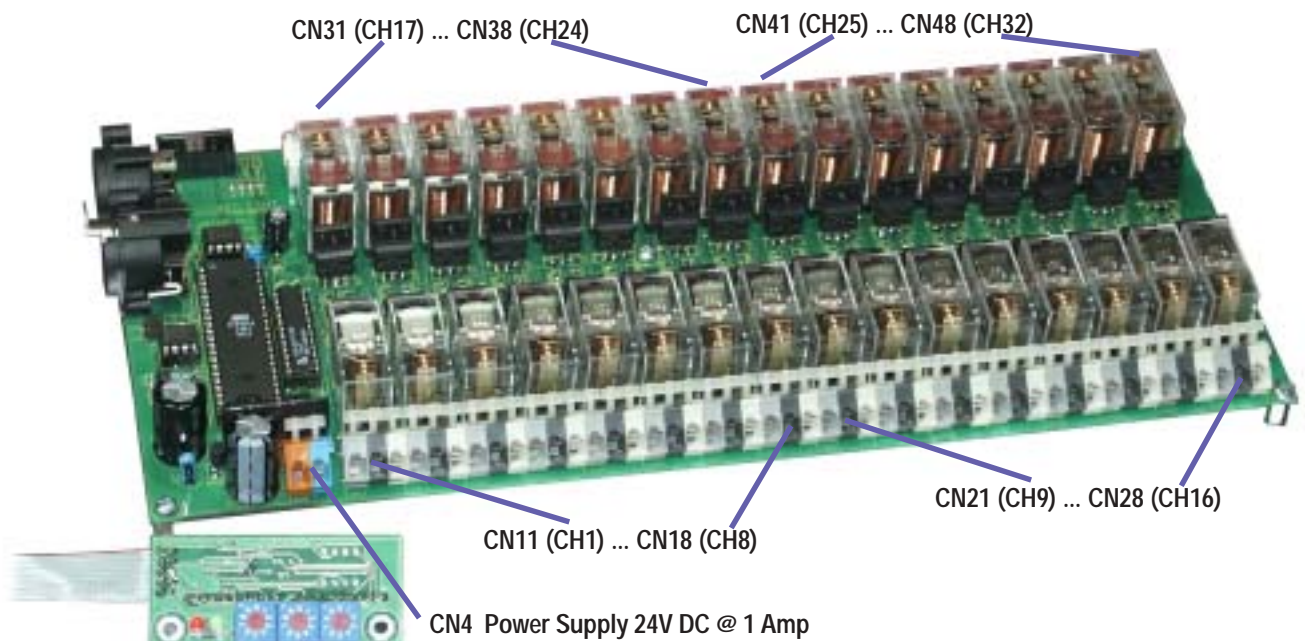
**CN21** Relay output 9 etc up to  
**CN28** Relay output 16

**CN31** Relay output 17 etc up to  
**CN38** Relay output 24

**CN41** Relay output 25 etc up to  
**CN48** Relay output 32

white C (Common)  
 dark grey NC (Normally Closed, opening contact)  
 light grey NO (Normally Open, closing contact)

**NOTE:** Assignment may change due to type of relay fitted. If in doubt, check using a standard ohmmeter.



Start Address 100 / 10 / 1

## CN4 Power Supply

red +24V DC approx 750mA  
blue 0.0V, GND

## Signal Indicators

Status signalling is with LED indicators:

green: DMX data reception OK  
red: ERROR  
normally off  
blinks at transmission errors or at loss of signal

## Start address



The start address setting board is used to set the number of the DMX start address, that is the number of the first data slot used by the 3032R relay card. The card then uses 32 consecutive data slots to switch the outputs accordingly. Setting of the switches is straightforward decimal.

S1: Ones  
S2: Tens  
S3: Hundreds

Valid addresses range from 001 to 481. Address 000 is invalid and will set all outputs to OFF regardless of actually received data.

## DIP switch settings

The DMX relay card 3032R consists of a switchable HOLD mode, which will keep the outputs in its actual state in case of loss of DMX data. Each switch selectzs a group of 8 outputs.

S1: ON: HOLD outputs 1...8  
S2: ON: HOLD outputs 9...16  
S3: ON: HOLD outputs 17...24  
S4: ON: HOLD outputs 25...32

## Address Memory

The DMX relay card 3032R will remember the last settins for DMX start address and the actual HOLD mode settings. First select the HOLD mode, the select the desired start address. Upon address change, the card will store the actual settings in nonvolatile memory. If the card is powerd up without address board connected, the last valid settings will be restored.

## Technical Data

Dimensions:	300 mm x 145 mm x 40 mm
Power Supply:	24V DC <30 mA (no relay engaged) 750 mA (all relays engaged)
DMX IN:	1 Unit Load
DMX OUT:	fed-thru
Relay Out:	max. 250V AC, max. 6A (resistive load)
Order Code::	3032R-EP

## Disturbances

If a trouble-free operation cannot be guaranteed, disconnect the decoder interface and secure it against unwanted operation. This is especially necessary, when

- the unit has visible damages;
- the unit does not operate;
- internal parts are loose;
- connection cables show visible damages.

## CE Marking



The unit has been tested in our lab and has been marked to comply with CE requirements. To ensure compliance, use grounded power leads only and make sure that properly shielded data lines (CAT5, DMX data cable or Digital Audio cable to AES/EBU specifications) are used. Any modifications not approved by the manufacturer may void CE compliance.

## Limited Warranty

This instrument is warranted against defects in materials and workmanship for a period of 12 months, beginning with the date of purchase. The warranty is limited to repair or exchange of the hardware product; no further liability is assumed. SOUNDLIGHT is not responsible for damages or for loss of data, sales or profit which arise from usage or breakdown of the hardware product. In Germany, SOUNDLIGHT will repair or replace established defects in hardware, provided that the defective part is sent in, freight paid, through the responsible dealer along with warranty card and/or sales receipt prior to expiration of warranty.

Warranty is void:

- when modifying or trying to repair the unit without authorisation;
- modification of the circuitry;
- damages by interference of other persons;
- operation which is not in accordance with the manual;
- connection to wrong voltage or current;
- misuse.

## Service

There are no parts within the DMX relay card 3032R-EP which require the user's attention. Should your unit require servicing, please send it to the factory, freight paid.

## Internet-Hotline

Please check our internet domain **<http://www.soundlight.de>** for new versions, updates etc. If you have any comments which may be worth considering, please send a message to **[support@soundlight.de](mailto:support@soundlight.de)**. We will check your message and reply accordingly.

## End-of-Lifetime Procedures



Electronic devices are not domestic waste and must be disposed of properly. If the end of lifetime of this device has been reached, it must be recycled by the public electronic devices recycling system.

SOUNDLIGHT is registered with registration code DE-58883929 for electronic devices recycling.